

AB2-4X5AT-VMR550

4MP 5-50mm Motorized Lens IR Bullet Camera

4MP 2MP 5-50 mm QHD 2 Motor WDR IP66 AC24/DC12

Features

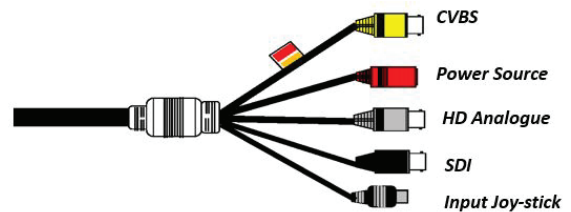
- 1/2.8" 5.14 Mega CMOS Sensor
- 5- 50 mm Megapixel Smart Focus Lens (Motorized Zoom)
- QHD (2560x1440) , FHD (1920x1080)
- Smart IR & WDR
- DAY&NIGHT (Output the Filter changing signal)
- IP66
- Long-range, less heat (4 x Hi-power Chip leds)
- Dual Power (24V AC / 12V DC)



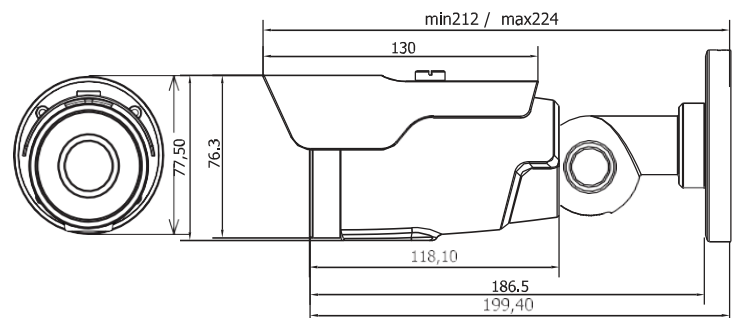
Specifications

AB2-4X5AT-VMR550	
CAMERA	
Image Sensor	1/2.8" 5Mega CMOS Sensor
Total Pixels	2704 (H) × 2104 (V)
Effective	2616 (H) × 1964 (V)
Resolution	2560 x 1440 Pixels
S/N Ratio	More than 40dB (AGC off)
Frame	30fps QHD
OSD	English/Chinese/Chinese(S)/Japanese/Korea
Day & Night	Auto/Color/B&W/EXTERN
ATW	1800 ~ 10500K
High Speed Shutter	1/30(1/25) ~ 1/30Ksec
WDR	Line mode(30fps)/ Frame mode(15fps) and ROI
D-WDR	Off / On
BLC	Off / On (Size, Position)
HLC	Level Setting(0~20), Color
AGC	Level Setting(0~10) : Max 72dB(TBD)
White Balance	AUTO / AUTO ext / PUSH / MANUAL
DNR	2D+3DNR, OFF/LOW/MIDDLE/HIGH
Motion Detection	Off / On
Privacy Mask	BOX(16 Areas), Polygon(8 Areas)(On/Off, Color, Position)
Sens-Up	x2,x4,x8,x16,x32
De-Fog	2AUTO/Manual
Shapness, Reverse (H,V)	0~10, Mirror, Flip
In / Output	Alarm Output, Ext IR Mode, IR LED Off/On
Analog Video Output	Analog VBS 1.0Vp-p (75ohm Terminated)
HD Analog Video Output	TVI VBS 1.0Vp-p (75ohm Terminated)
	AHD VBS 1.0Vp-p (75ohm Terminated)
Digital Serial Video Output	Selectable HD-SDI or EX-SDI1.0/2.0/2.1(Long Reach)

GENERAL	
Power Input	DC 12V ±10% AC 24V ±10%
Operation Temperature	-10°C ~ +50°C
Dimensions	224 mm (D) x 78 mm (Ø)
Weight	750g (1.65lbs)



Dimensions



Design and specifications are subject to change without notice.